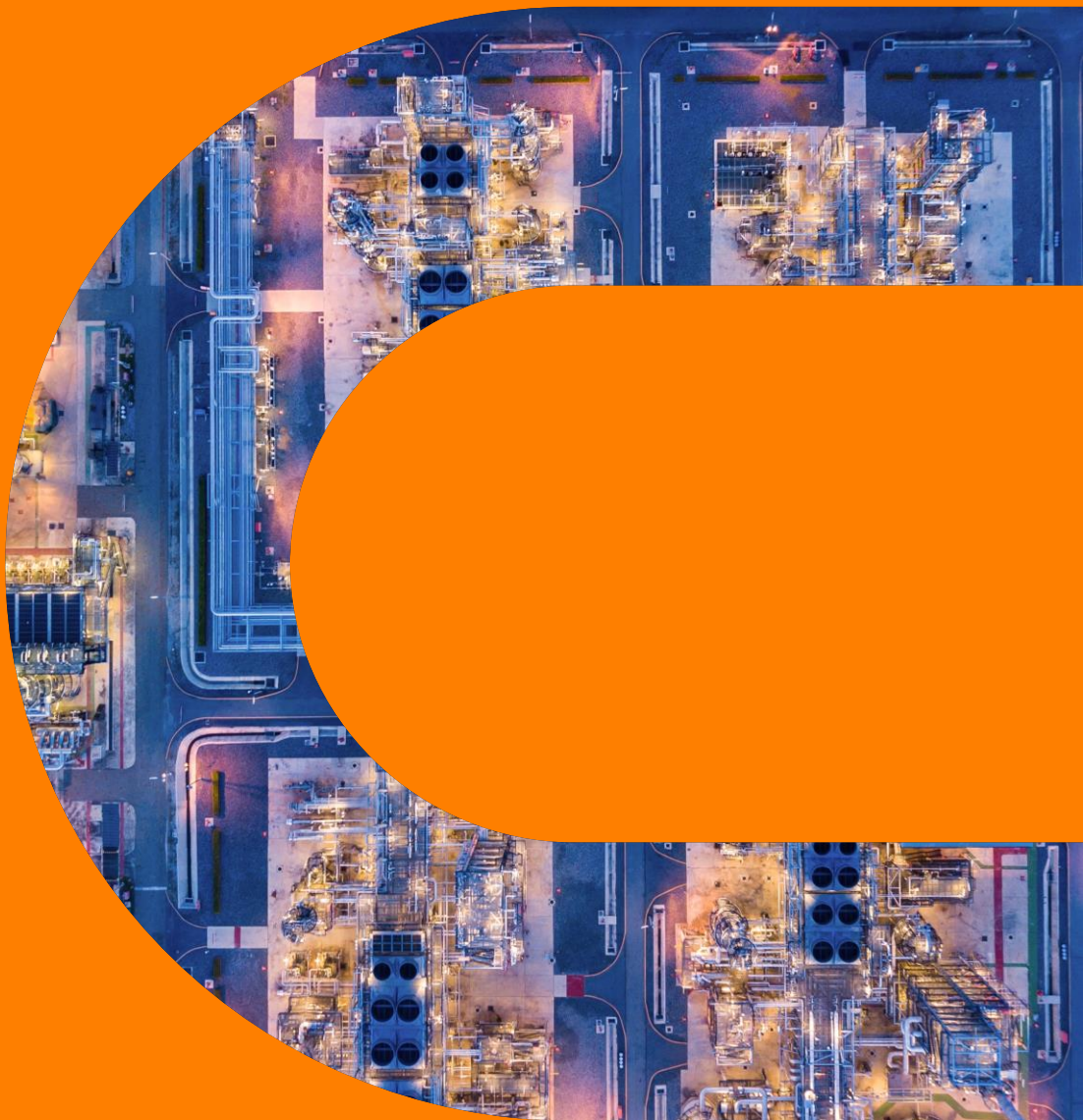


Our Supports

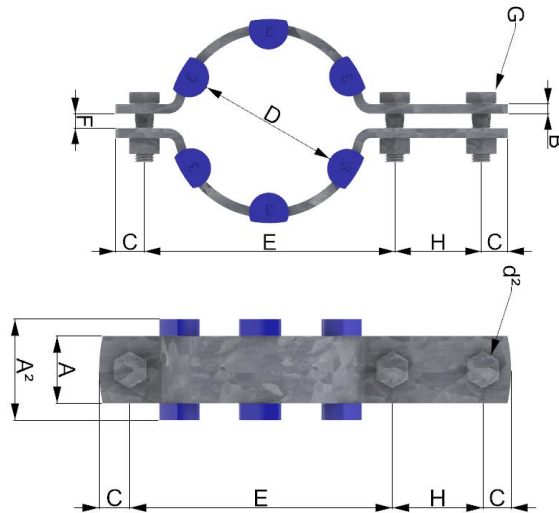


clambrace®



TYPE C-CLAMP (DN15 – DN1000)

DIN 3567B Type11



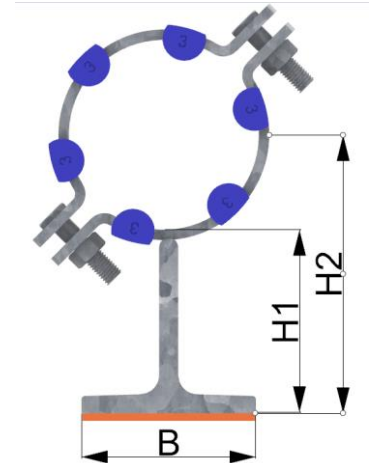
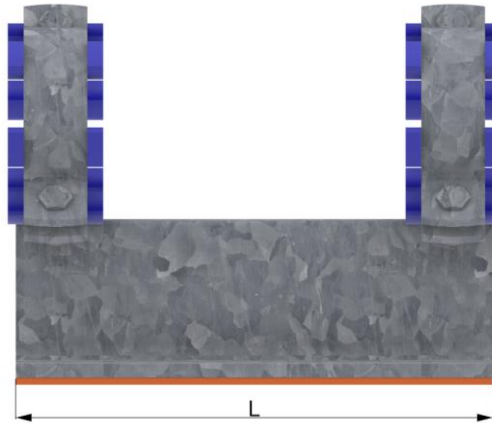
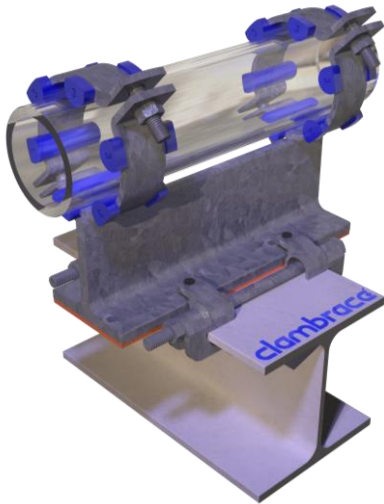
DIMENSIONS									
ND	INCH	OUTER Ø MM	A X B	C	THREAD	C	E	F	H
15	½	21,3	30 x 5mm	15	M10 x 40	15	56	7	46
20	¾	26,9	30 x 5mm	15	M10 x 40	15	66	7	46
25	1	33,7	30 x 5mm	15	M10 x 40	15	72	7	46
32	1 ¼	42,4	30 x 5mm	15	M10 x 40	15	82	7	46
40	1 ½	48,3	30 x 5mm	15	M10 x 40	15	88	7	46
50	2	60,3	40 x 6mm	18	M12 x 45	18	108	9	54
65	2 ½	76,1	40 x 6mm	18	M12 x 45	18	122	9	54
80	3	88,9	40 x 6mm	18	M12 x 45	18	136	9	54
100	4	114,3	50 x 8mm	24	M16 x 60	24	178	11	70
125	5	139,7	50 x 8mm	24	M16 x 60	24	204	11	70
150	6	168,3	50 x 8mm	24	M16 x 60	24	232	11	70
200	8	219,1	50 x 8mm	24	M16 x 60	24	284	11	70
250	10	273,0	60 x 8mm	30	M20 x 70	30	348	14	86
300	12	323,9	60 x 8mm	30	M20 x 70	30	398	14	86
350	14	355,6	60 x 8mm	30	M20 x 70	30	444	14	86
400	16	406,4	70 x 10mm	36	M24 x 70	36	510	18	104
450	18	457,2	70 x 10mm	36	M24 x 70	36	550	18	104
500	20	508,0	70 x 10mm	36	M24 x 70	36	614	18	104
600	24	609,6	80 x 12mm	45	M24 x 70	45	730	22	150
700	28	711,2	80 x 12mm	45	M30 x 80	45	832	22	150
800	32	812,8	100 x 15mm	54	M36 x 100	54	954	26	150
1000	40	1016,0	100 x 15mm	54	M36 x 100	54	1160	26	150

Printing errors, errors and technical changes reserved



TYPE 18 C-CLAMPED PIPE SHOE

Version with C-Clips (DN15-DN200)

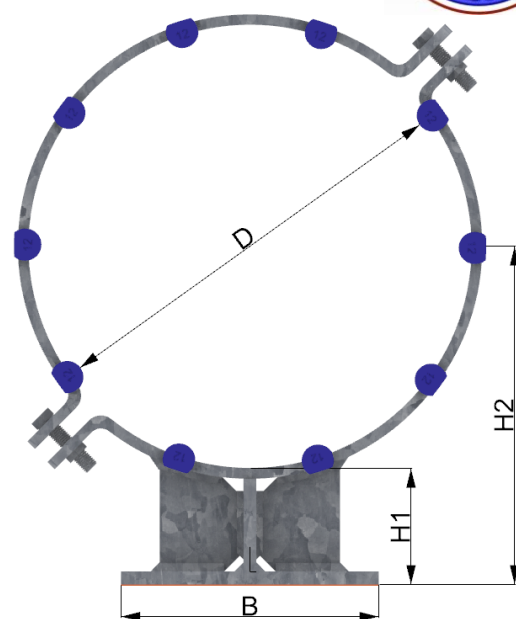
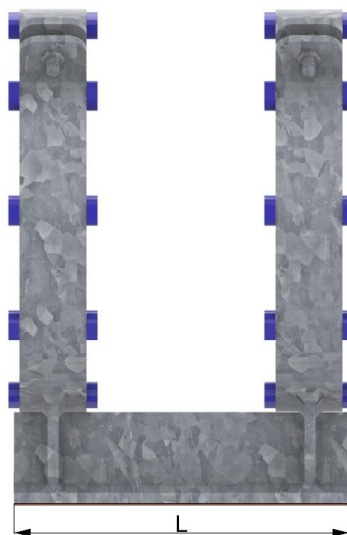
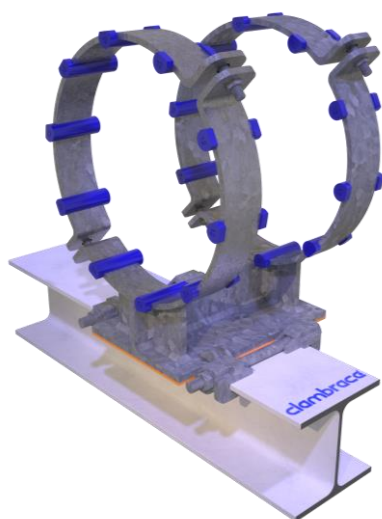


DIMENSIONS						LOAD (KN)			
ND	INCH	OUTER Ø MM	L	B	H2	FX	FY	FZ	WEIGHT KG
15	½	21,3	200	100	126	0,5	0,5	1	3,94
20	¾	26,9	200	100	129	0,6	0,6	1,2	4,00
25	1	33,7	200	100	132	0,8	0,8	1,5	4,04
32	1 ¼	42,4	200	100	136	0,9	0,9	1,8	4,10
40	1 ½	48,3	200	100	139	1	1	2	4,14
50	2	60,3	300	100	146	1,8	1,8	3,5	6,42
65	2 ½	76,1	300	100	154	2,1	2,1	4,2	6,64
80	3	88,9	300	100	160	2,3	2,3	4,7	6,76
100	4	114,3	300	100	175	5,1	5,1	10,2	8,88
125	5	139,7	300	100	188	5,8	5,8	11,5	9,28
150	6	168,3	300	100	202	6,4	6,4	12,9	9,78
200	8	219,1	300	100	228	7,4	7,4	14,8	10,90



TYPE 18 C-CLAMPED PIPE SHOE

Version with C-Clips (DN250-DN500)



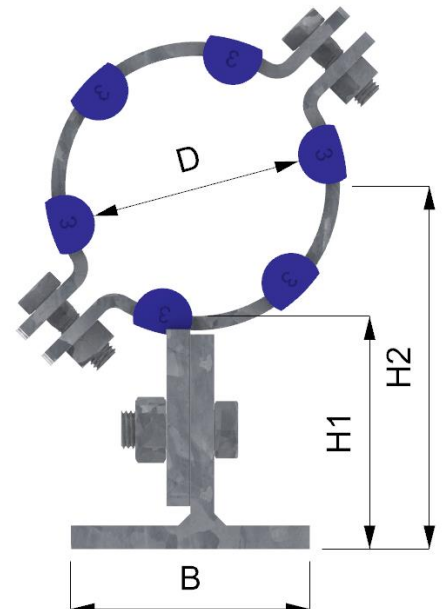
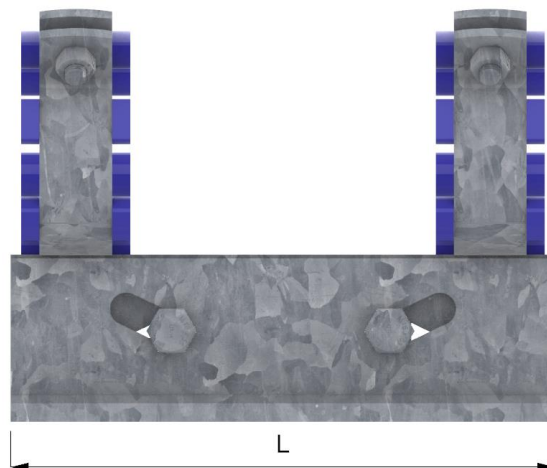
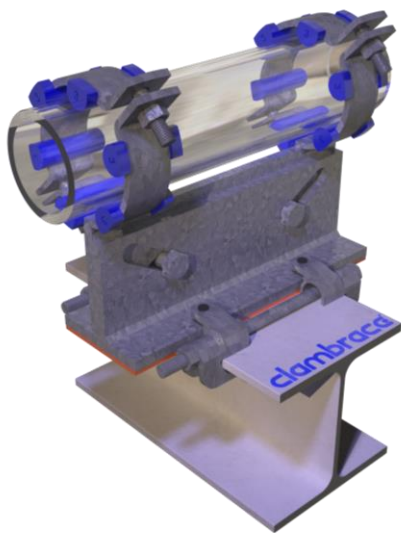
DIMENSIONS						LOAD (KN)			
ND	INCH	OUTER Ø MM	L	B	H2	FX	FY	FZ	WEIGHT KG
250	10	273,0	300	150	246,5	10,9	10,9	21,8	15,0
300	12	323,9	300	200	272,0	11,9	11,9	23,7	18,1
350	14	355,6	300	200	288,0	12,4	12,4	24,8	19,1
400	16	406,4	300	250	313,2	14,0	14,0	28,0	27,5
450	18	457,2	300	250	338,6	14,0	14,0	28,0	29,0
500	20	508,0	300	300	364,0	14,0	14,0	28,0	33,0
600	24	610,0	400	300	415,0	14,0	14,0	28,0	50,6
700	28	712,0	400	400	466,0	14,0	14,0	28,0	84,0
800	32	813,0	400	400	516,0	14,0	14,0	28,0	89,0

Printing errors, errors and technical changes reserved



TYPE TL10 HEIGHT ADJUSTABLE C-CLAMP PIPE SHOE

Version with C-Clips (DN15-DN200)



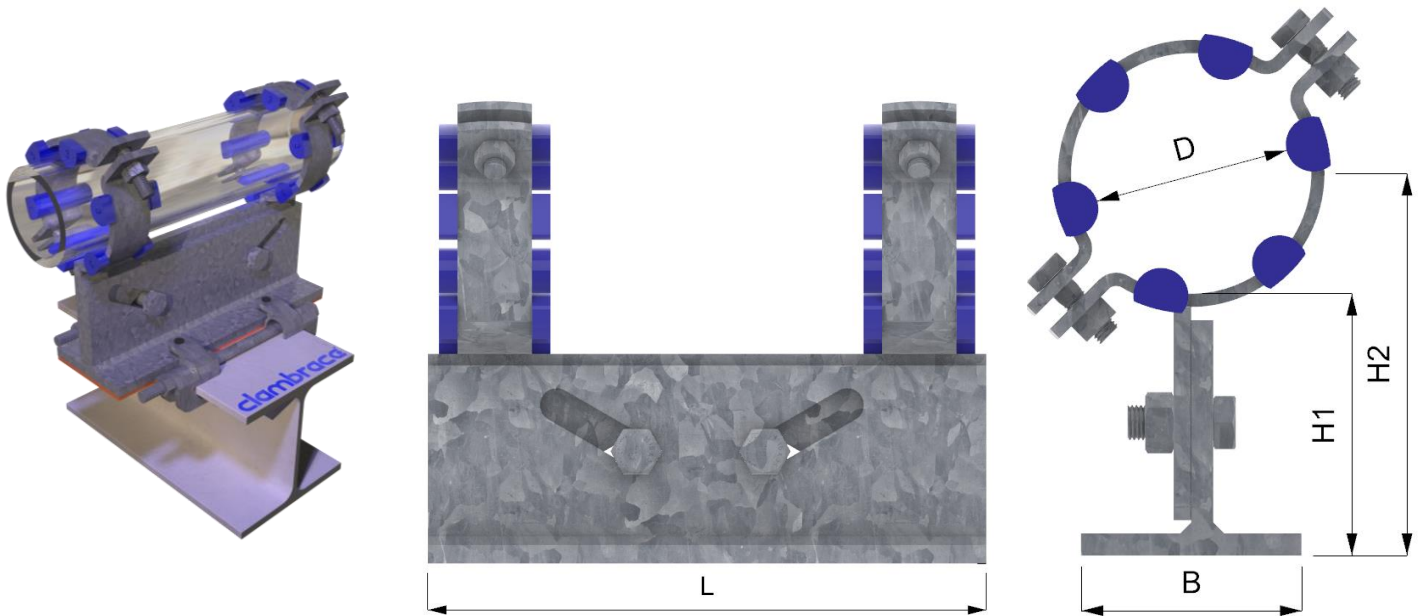
DIMENSIONS					LOAD (KN)					
ND	INCH	OUTER Ø MM	L	B	H1	H2	FX	FY	FZ	WEIGHT KG
15	½	21,3	300	80	96-120mm	117-141mm	0,5	0,5	1,0	5,7
20	¾	26,9	300	80		120-144mm	0,6	0,6	1,2	5,8
25	1	33,7	300	80		123-147mm	0,8	0,8	1,6	5,8
32	1 ¼	42,4	300	80		128-152mm	0,9	0,9	1,8	5,9
40	1 ½	48,3	300	80		131-155mm	1,0	1,0	2,0	5,9
50	2	60,3	300	100		137-161mm	1,8	1,8	3,6	7,0
65	2 ½	76,1	300	100		145-169mm	2,1	2,1	4,2	7,1
80	3	88,9	300	100		151-175mm	2,3	2,3	4,6	7,3
100	4	114,3	300	100		164-188mm	5,1	3,8	7,6	9,1
125	5	139,7	300	100		176-200mm	3,8	3,8	7,6	9,5
150	6	168,3	300	100		191-215mm	3,8	3,8	7,6	10,5
200	8	219,1	300	100		216-240mm	3,8	3,8	7,6	11,6

Printing errors, errors and technical changes reserved



TYPE TL20 HEIGHT ADJUSTABLE C-CLAMP PIPE SHOE

Version with C-Clips (DN15-DN200)



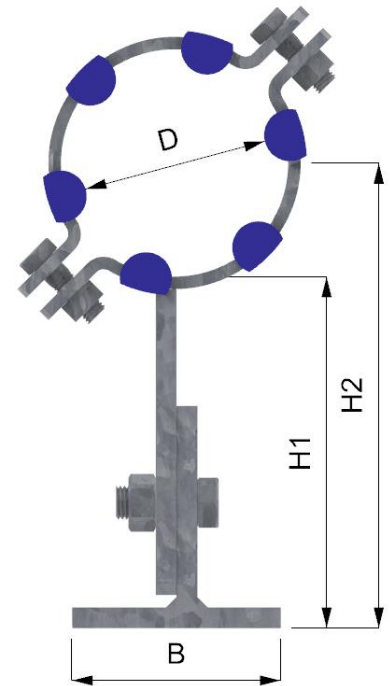
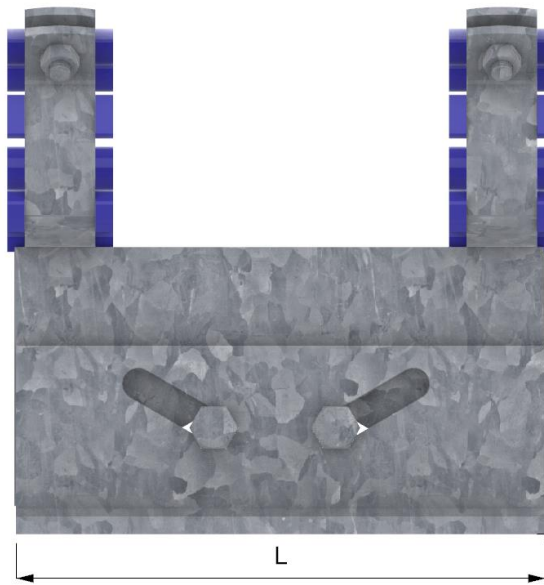
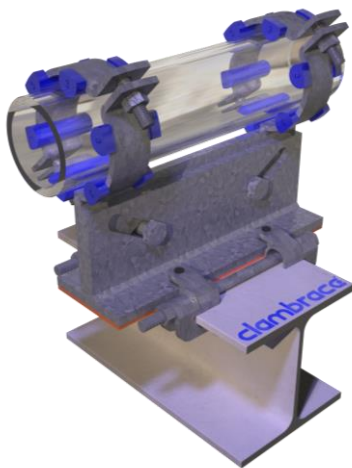
DIMENSIONS						LOAD (KN)				
ND	INCH	OUTER Ø MM	L	B	H1	H2	FX	FY	FZ	WEIGHT KG
15	½	21,3	300	100	120-170mm	141-191mm	0,4	0,4	0,8	6,9
20	¾	26,9	300	100		144-194mm	0,5	0,5	1,0	7,0
25	1	33,7	300	100		147-197mm	0,6	0,6	1,2	7,0
32	1 ¼	42,4	300	100		152-202mm	0,7	0,7	1,4	7,1
40	1 ½	48,3	300	100		155-205mm	0,8	0,8	1,6	7,1
50	2	60,3	300	100		161-211mm	1,4	1,4	2,8	8,2
65	2 ½	76,1	300	100		169-219mm	1,6	1,6	3,2	8,3
80	3	88,9	300	100		175-225mm	1,8	1,8	3,6	8,5
100	4	114,3	300	100		188-238mm	2,2	2,7	5,4	10,3
125	5	139,7	300	100		200-250mm	2,7	2,7	5,4	10,7
150	6	168,3	300	120		215-265mm	2,7	2,7	5,4	11,7
200	8	219,1	300	120		240-290mm	2,7	2,7	5,4	12,8

Printing errors, errors and technical changes reserved



TYPE TL30 HEIGHT ADJUSTABLE C-CLAMP PIPE SHOE

Version with C-Clips (DN15-DN200)



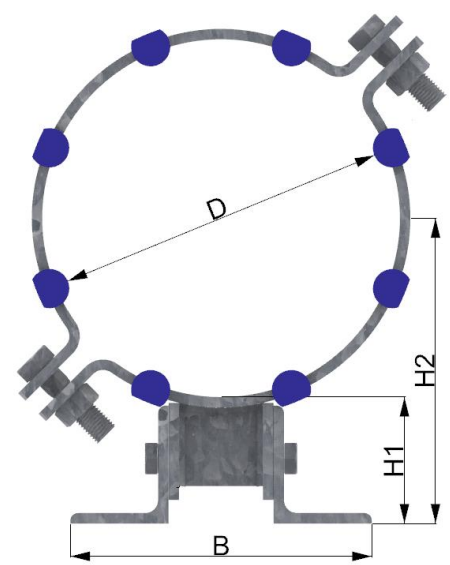
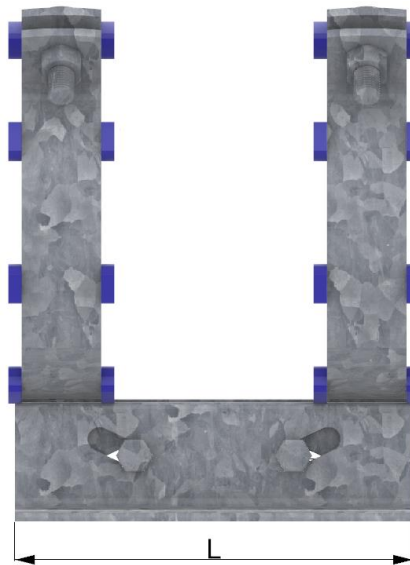
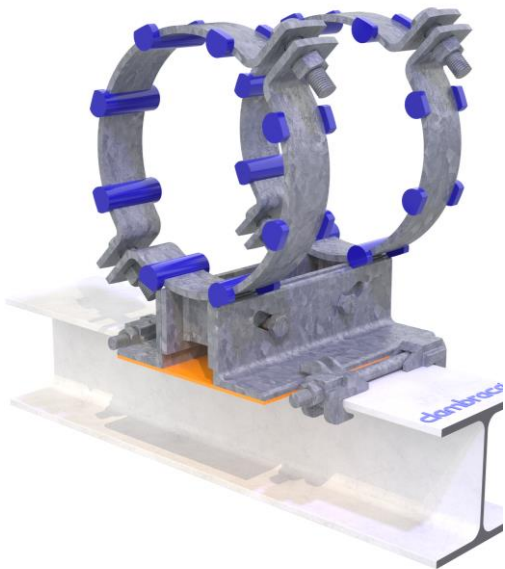
DIMENSIONS						LOAD (KN)			
ND	INCH	OUTER Ø MM	B	H1	H2	FX	FY	FZ	WEIGHT KG
15	½	21,3	100	170-220mm	191-241mm	0,4	0,4	0,8	6,9
20	¾	26,9	100		194-244mm	0,5	0,5	1,0	2,0
25	1	33,7	100		187-247mm	0,6	0,6	1,2	7,0
32	1 ¼	42,4	100		202-252mm	0,7	0,7	1,4	7,1
40	1 ½	48,3	100		205-255mm	0,8	0,8	1,6	7,1
50	2	60,3	100		211-261mm	1,4	1,4	2,8	8,2
65	2 ½	76,1	100		219-269mm	1,6	1,6	3,2	8,3
80	3	88,9	100		225-275mm	1,8	1,8	3,6	8,5
100	4	114,3	100		238-288mm	2,2	2,7	5,4	10,3
125	5	139,7	100		250-300mm	2,7	2,7	5,4	10,7
150	6	168,3	120		265-315mm	2,7	2,7	5,4	11,7
200	8	219,1	120		290-340mm	2,7	2,7	5,4	12,8

Printing errors, errors and technical changes reserved



TYPE ML10 HEIGHT ADJUSTABLE C-CLAMP PIPE SHOE

Version with C-Clips (DN15-DN200)



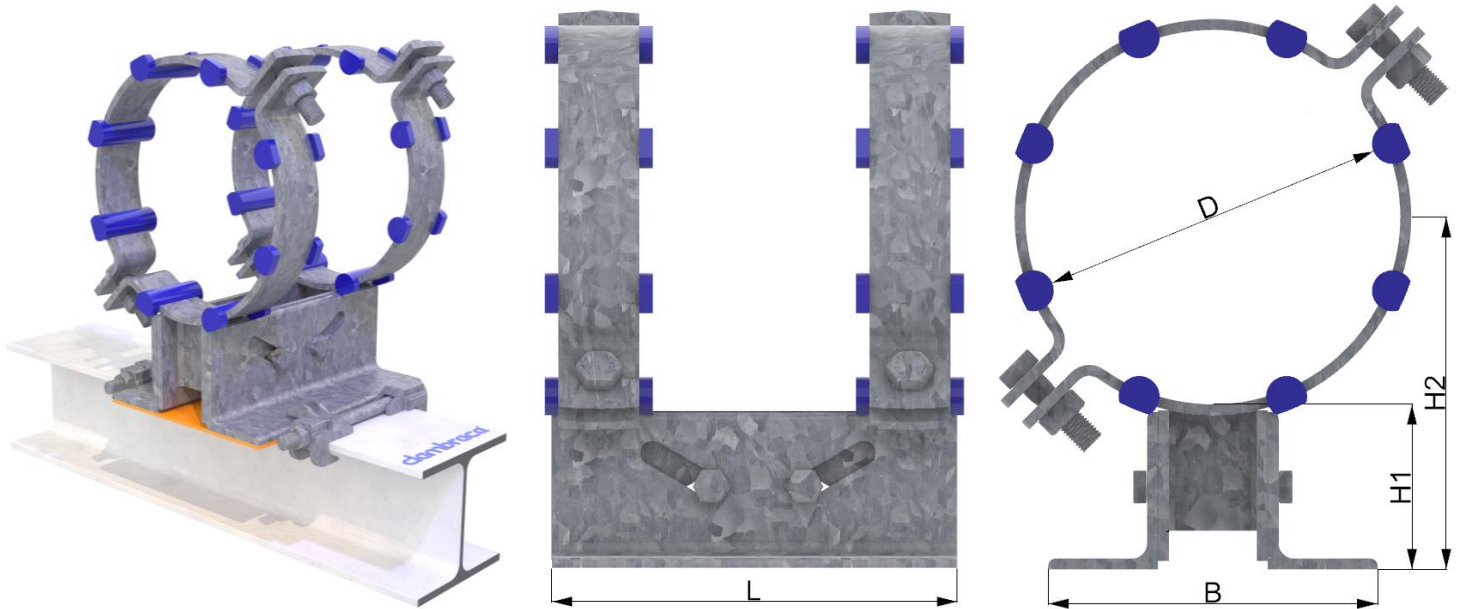
DIMENSIONS						LOAD (KN)				
ND	INCH	OUTER Ø MM	L	B	H1	H2	FX	FY	FZ	WEIGHT KG
250	10	273,0	300	240	96-120mm	243-267mm	7,5	7,5	15,0	21,0
300	12	323,9	300	270		268-292mm	7,5	7,5	15,0	22,9
350	14	355,6	300	270		284-308mm	7,5	7,5	15,0	24,1
400	16	406,4	300	270		310-334mm	7,5	7,5	15,0	30,9
450	18	457,2	300	300		335-359mm	7,5	7,5	15,0	33,0
500	20	508,0	300	300		360-384mm	7,5	7,5	15,0	34,2

Printing errors, errors and technical changes reserved



TYPE ML20 HEIGHT ADJUSTABLE C-CLAMP PIPE SHOE

Version with C-Clips (DN15-DN200)

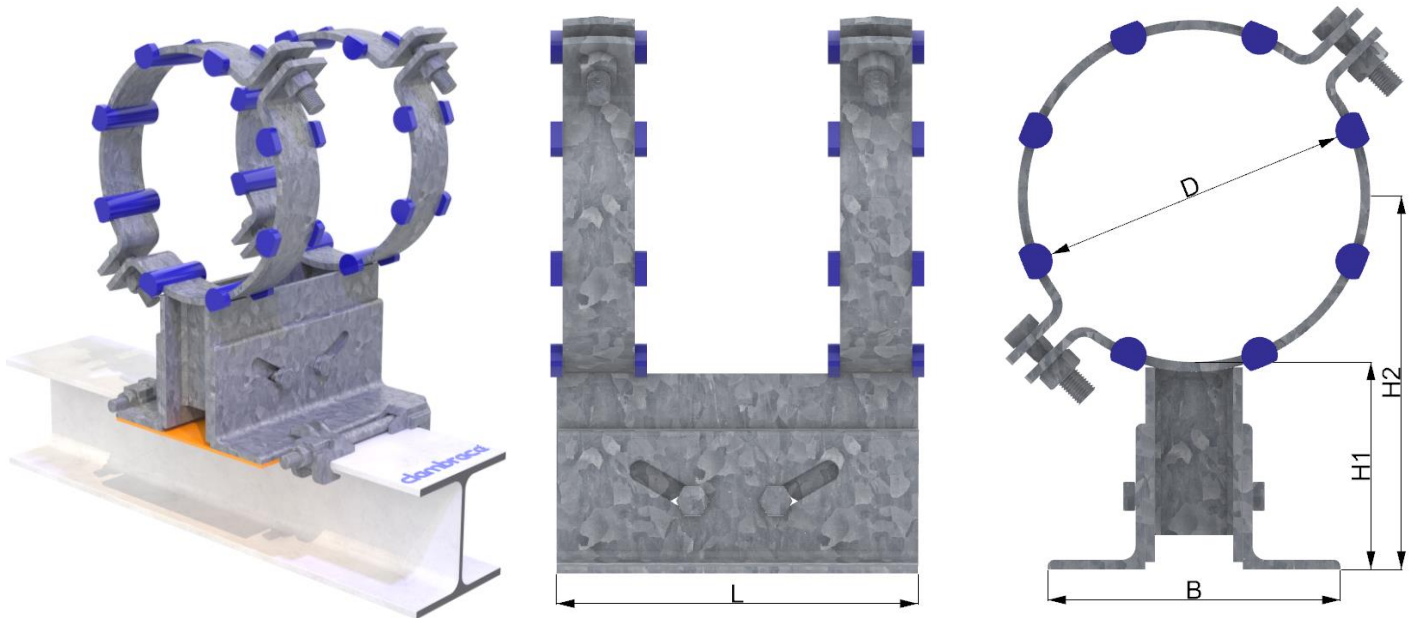


DIMENSIONS						LOAD (KN)				
ND	INCH	OUTER Ø MM	L	B	H1	H2	FX	FY	FZ	WEIGHT KG
250	10	273,0	300	240	120-170mm	267-317mm	6,2	0,6	2,5	22,8
300	12	323,9	300	280		292-342mm	7,5	0,5	2,5	24,4
350	14	355,6	300	280		308-358mm	7,5	0,5	2,5	25,6
400	16	406,4	300	280		334-408mm	7,5	0,4	2,5	32,4
450	18	457,2	300	300		358-408mm	7,5	0,5	2,5	34,9
500	20	508,0	300	300		384-434mm	7,5	0,3	2,5	36,1



TYPE ML30 HEIGHT ADJUSTABLE C-CLAMP PIPE SHOE

Version with C-Clips (DN15-DN200)



DIMENSIONS						LOAD (KN)				
ND	INCH	OUTER Ø MM	L	B	H1	H2	FX	FY	FZ	WEIGHT KG
250	10	273,0	300	240	170-220mm	317-367mm	6,7	6,7	13,4	26,2
300	12	323,9	300	270		342-392mm	7,5	7,5	15,0	28,5
350	14	355,6	300	270		358-408mm	7,5	7,5	15,0	29,7
400	16	406,4	300	270		384-434mm	7,5	7,5	15,0	36,5
450	18	457,2	300	300		408-458mm	7,5	7,5	15,0	38,3
500	20	508,0	300	300		434-484mm	7,5	7,5	15,0	40,0

MOUNTING CLAMPS

Mounting clamps are designed for welding and drilling into existing steel structures. It replaces (in most cases) the traditional welded lift-off lock to limit lateral and vertical movement. It is designed for both insulated pipes to conduct, supported by pipe shoes as uninsulated pipes. The system is very quick to install. There is no power or compressed air supply required because keys are the only tools you need.

Function

The function of the clamped pipe guide is to prevent lateral and/or vertical excessive movement.

Allowable loads

The maximum allowable loads are given in the tables for each configuration. The applicable safety factor ≥ 2 against slipping of the clamping system on the beam. Tightening torques are also listed in the tables.

Constructive parameters

To select the correct clamping system, the width, thickness and design of the beam must be known. The available clamping jaws cover the usual trade profile up to 95%. For the other cases, tailor-made solutions must be investigated.

Temperatures

Standard material for M12 clamps is GS 52. Standard material for M16 clamps = GS-20Mn5. It is distinguished by its extensive stable strength properties for a wide temperature range. In the high temperature range up to about 500 °C, low changes in strength property can be noticed. However, the application temperatures should not exceed 350 °C with regard to the corrosion protection (hot-dip galvanized).

- Material GS-52 lower heating limit -15 °C
- Material GS-20Mn5 lower heating limit -40 °C

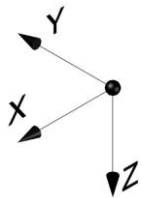
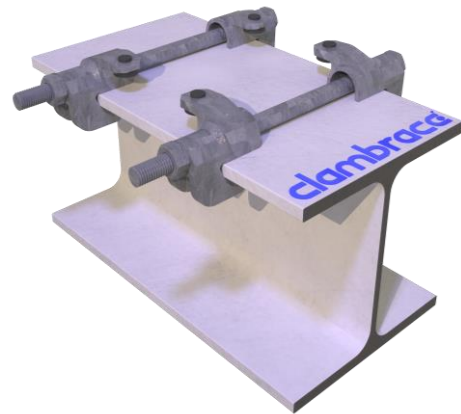
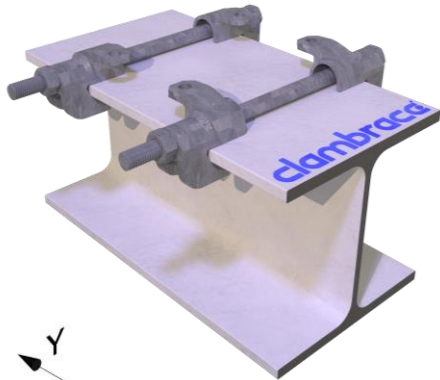
Remarks

Dimensions are in mm unless stated otherwise. Subject to technical changes



TYPE 22H1H

Double version without and/or with sliding plate



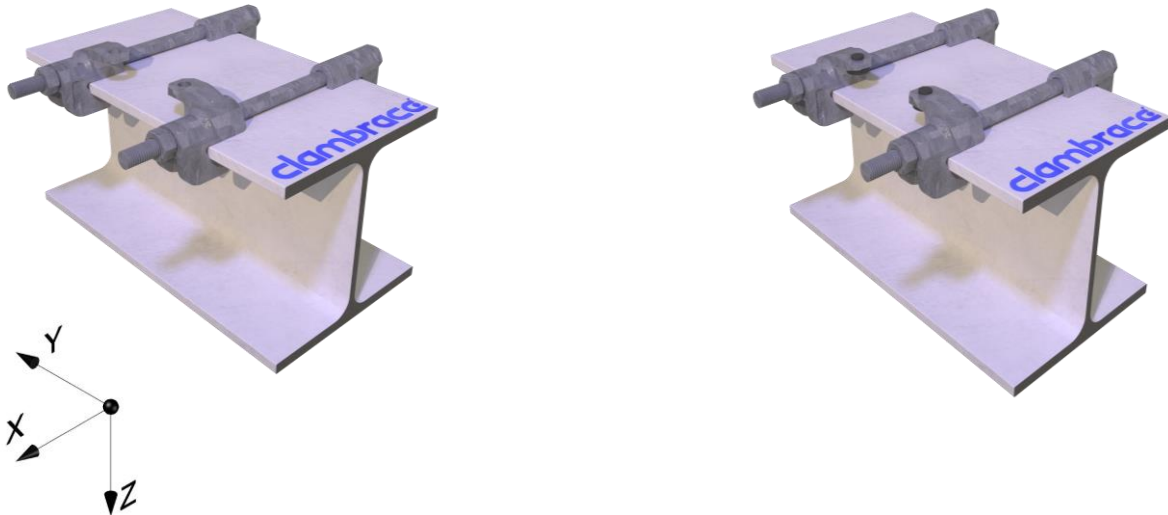
PROFILE DIMENSIONS (MM)				LOAD (KN)				WEIGHT KG	THREAD
APPLICABLE TO PROFILES	THICKNESS	WIDTH	PROFILE THICKNESS 6-20MM	PROFILE THICKNESS 6-20MM	PROFILE THICKNESS 6-13MM	PROFILE THICKNESS 13-20MM			
			Fx	Fy	Fz	Fz			
HE/A 100-400mm									
HE/B 100-300mm	6-20mm	Min. 50mm	-	+/- 4	-6	-5	0,8	M12	
IPE 160-600mm									
For Supports	With a foot thickness $s \leq 17$ mm - no U-Profile (Without spacers)								
Description	2x22H1LH + 2x22H1RH + 2 threaded rods M12 + 4 nuts M12 - HD galva - Length of the threaded rods depends on the width of the profile (specified by customer)								
Option	Spacers: $\varnothing 20$ mm 4,6,8 or 11mm thick, Sliding plate. Code: 22HD4, 22HD6, 22HD8, 22HD11								
Tightening moment	22 Nm for M12 threaded rods 4.6								

Weight is for the clamps only



TYPE 22H1H4H

Single version without and/or with sliding plate



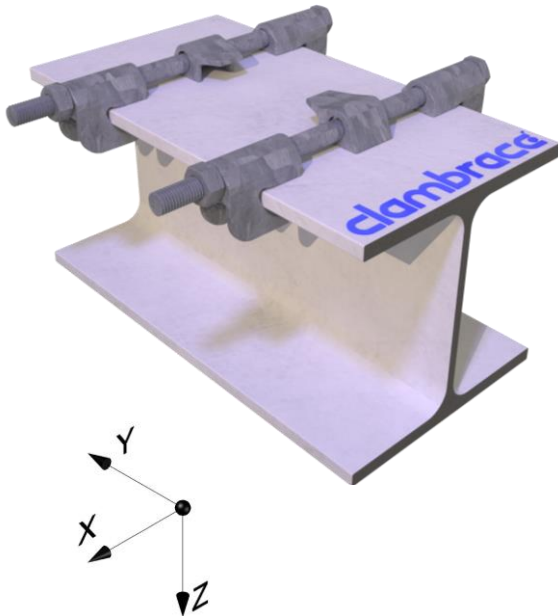
PROFILE DIMENSIONS (MM)				LOAD (KN)				WEIGHT KG	THREAD
APPLICABLE TO PROFILES	THICKNESS	WIDTH	PROFILE THICKNESS 6-20MM	PROFILE THICKNESS 6-20MM	PROFILE THICKNESS 6-13MM	PROFILE THICKNESS 13-20MM			
			Fx	Fy	Fz	Fz			
HE/A 100-400mm									
HE/B 100-300mm	6-20mm	Min. 50mm	-	+/- 4	-6	-5	0,8	M12	
IPE 80-600mm									
For Supports	With a foot thickness $s \leq 17\text{mm}$ - no U-Profile (Without spacers)								
Description	2x22H4H + 1x22H1LH + 1x22H1RH + 2 threaded rods M12 + 4 nuts M12 - HD galva - Length of the threaded rods depends on the width of the profile (specified by customer)								
Option	Spacers: $\varnothing 20\text{mm}$ 4,6,8 or 11mm thick, Sliding plate. Code: 22HD4, 22HD6, 22HD8, 22HD11								
Tightening moment	22 Nm for M12 threaded rods 4.6								

Weight is for the clamps only



TYPE 22H43

Single version without and/or with sliding plate



PROFILE DIMENSIONS (MM)				LOAD (KN)					
APPLICABLE TO PROFILES	THICKNESS	WIDTH	PROFILE THICKNESS 6-20MM	PROFILE THICKNESS 6-20MM	PROFILE THICKNESS 6-13MM	PROFILE THICKNESS 13-20MM	WEIGHT KG	THREAD	
			Fx	Fy	Fz	Fz			
HE/A 100-400mm									
HE/B 100-300mm	6-20mm	Min. 100mm	-	+/- 4	-3,2	-2,5	0,8	M12	
IPE 200-600mm									
For Supports	With a foot thickness $s \leq 11\text{mm}$ - no U-Profile (Without spacers)								
Description	2x22H43 + 4x22H5-O + 2 threaded rods M12 + 4 nuts M12 - HD galva - Length of the threaded rods depends on the width of the profile (specified by customer)								
Tightening torque	22 Nm for M12 threaded rods 4.6								

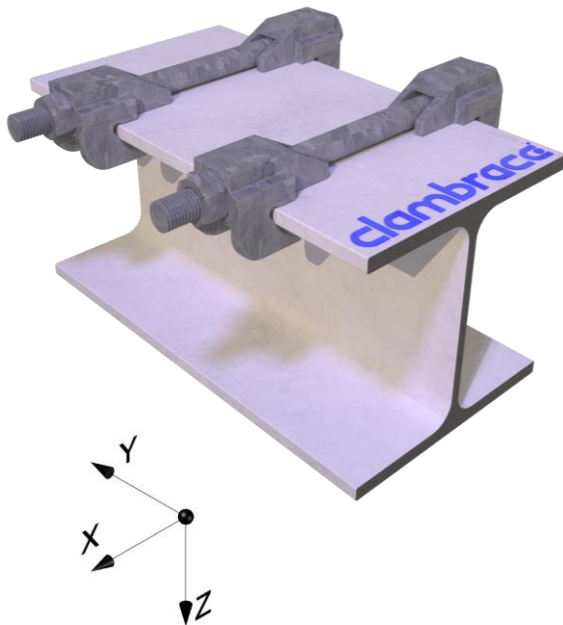
Weight is for the clamps only

Printing errors, errors and technical changes reserved



TYPE 22H48

Lateral guide, without and/or with sliding compartment. Heavy duty



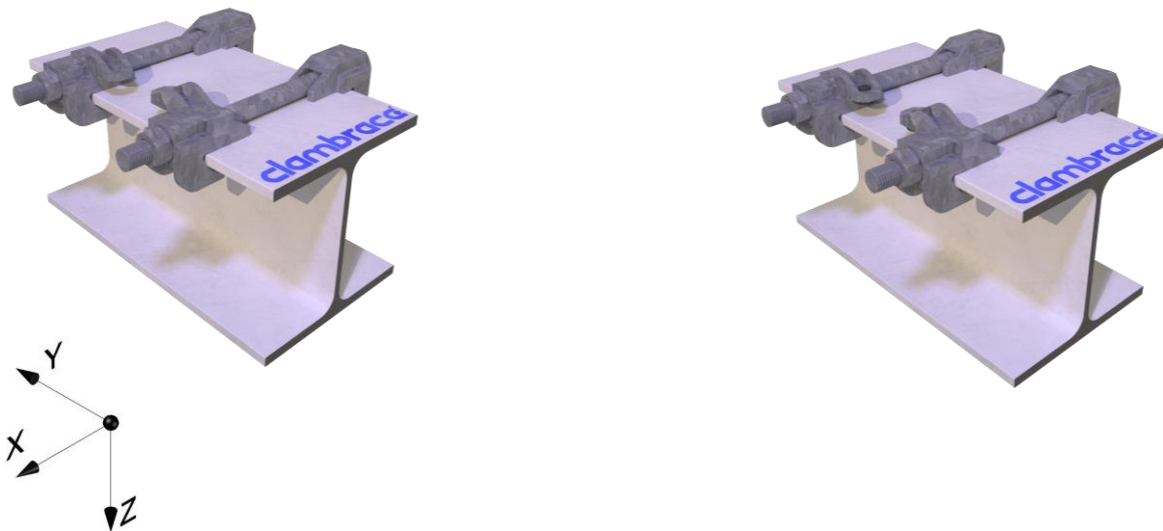
PROFILE DIMENSIONS (MM)				LOAD (KN)				WEIGHT KG	THREAD
APPLICABLE TO PROFILES	THICKNESS	WIDTH	PROFILE THICKNESS 6-20MM	PROFILE THICKNESS 6-20MM	PROFILE THICKNESS 6-13MM	PROFILE THICKNESS 13-20MM			
			Fx	Fy	Fz	Fz			
HE/A 120-400mm									
HE/B 120-300mm	6-20mm	Min. 120mm	-	+/- 10	-	-	1,6	M16	
IPE 240-600mm									
For Supports	For all types								
Description	4x22H48 + 2 threaded rods M16 + 4 nuts M16 - HD galva - Length of the threaded rods depends on the width of the profile (specified by customer)								
Tightening torque	55 Nm for M16 threaded rods 4.6								

Weight is for the clamps only



TYPE 22H48H28

Single version without and/or with sliding plate



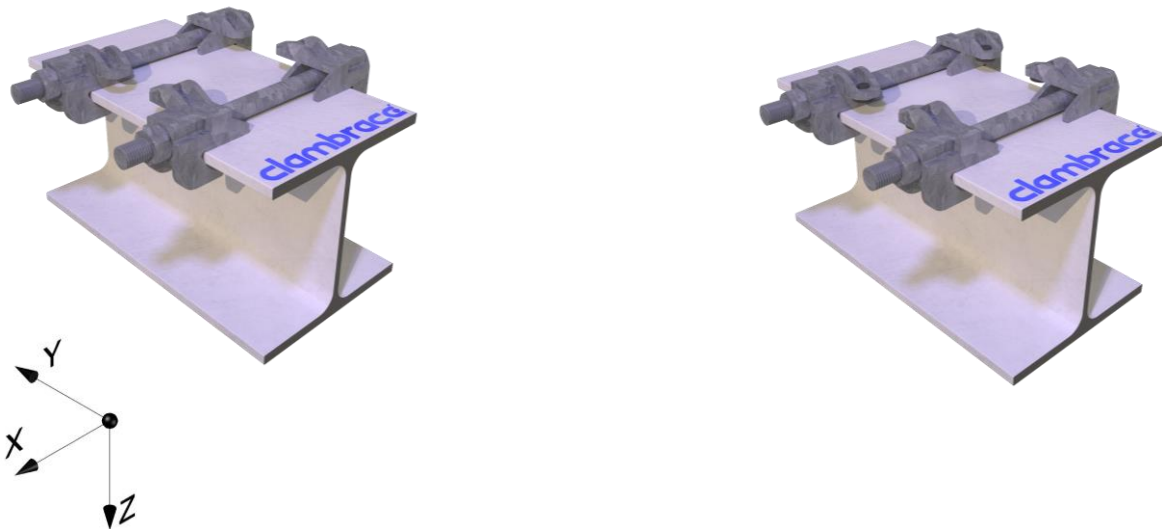
PROFILE DIMENSIONS (MM)				LOAD (KN)				WEIGHT KG	THREAD
APPLICABLE TO PROFILES	THICKNESS	WIDTH	PROFILE THICKNESS 6-20MM	PROFILE THICKNESS 6-20MM	PROFILE THICKNESS 6-13MM	PROFILE THICKNESS 13-20MM			
			Fx	Fy	Fz	Fz			
HE/A 120-400mm									
HE/B 120-300mm	6-20mm	Min. 120mm	-	+/- 10	-	-	1,6	M16	
IPE 240-600mm									
For Supports	With a foot thickness $s \leq 15$ mm (Without spacers)								
Description	2x22H48 + 1x22H28L + 1x22H28R + 2 threaded rods M16 + 4 nuts M16 - HD galva - Length of the threaded rods depends on the width of the profile (specified by customer)								
Tightening torque	55 Nm for M16 threaded rods 4.6								

Weight is for the clamps only



TYPE 22H28

Double version, without and/or with sliding surface



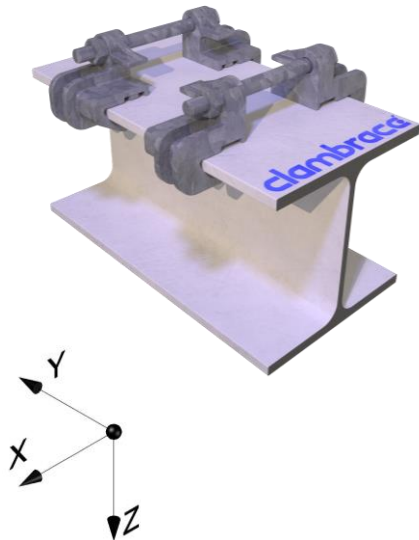
PROFILE DIMENSIONS (MM)				LOAD (KN)				WEIGHT KG	THREAD
APPLICABLE TO PROFILES	THICKNESS	WIDTH	PROFILE THICKNESS 6-20MM	PROFILE THICKNESS 6-20MM	PROFILE THICKNESS 6-13MM	PROFILE THICKNESS 13-20MM			
			Fx	Fy	Fz	Fz			
HE/A 120-400mm									
HE/B 120-300mm	6-20mm	Min. 120mm	-	+/- 10	-26	-20	2	M16	
IPE 240-600mm									
For Supports	With a foot thickness $s \leq 15$ mm (Without spacers)								
Description	2x22H28L + 2x22H28R + 2 threaded rods M16 + 4 nuts M16 - HD galva - Length of the threaded rods depends on the width of the profile (specified by customer)								
Tightening torque	55 Nm for M16 threaded rods 4.6								

Weight is for the clamps only



TYPE 22H101

Double version, without and/or with sliding surface



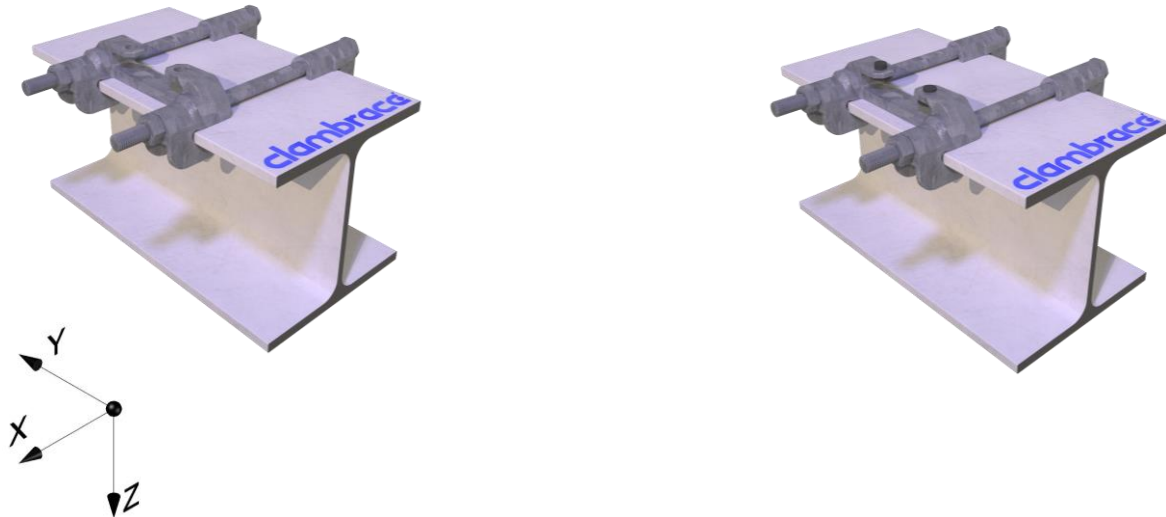
PROFILE DIMENSIONS (MM)				LOAD (KN)				WEIGHT KG	THREAD
APPLICABLE TO PROFILES	THICKNESS	WIDTH	PROFILE THICKNESS 6-20MM	PROFILE THICKNESS 6-20MM	PROFILE THICKNESS 6-13MM	PROFILE THICKNESS 13-20MM			
			Fx	Fy	Fz	Fz			
HE/A 100-400mm									
HE/B 100-300mm	6-20mm	Min. 100mm	-	+/- 8	-19/+60	-9/+60	1,8	M12	
IPE 200-600mm									
For Supports	With a foot thickness $s \leq 15$ mm (Without spacers)								
Description	2x22H101L + 2x22H101R + 2 threaded rods M12 + 4 nuts M12 - HD galva - Length of the threaded rods depends on the width of the profile (specified by customer)								
Tightening torque	22 Nm for M16 threaded rods 4.6								

Weight is for the clamps only



TYPE 22H300-H4H

Single version for sliding shoe 80mm wide



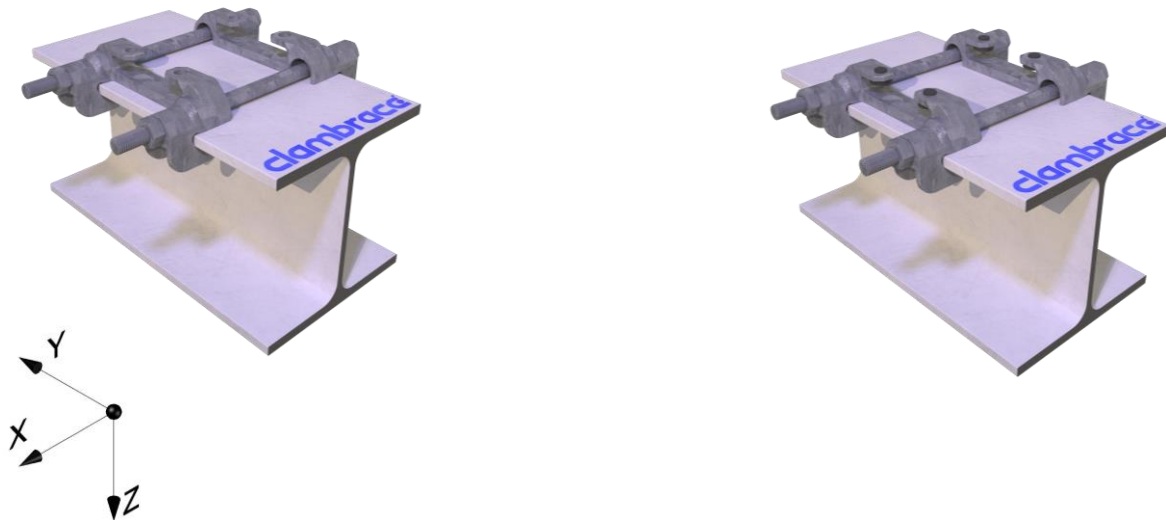
PROFILE DIMENSIONS (MM)				LOAD (KN)				WEIGHT KG	THREAD
APPLICABLE TO PROFILES	THICKNESS	WIDTH	PROFILE THICKNESS 6-20MM	PROFILE THICKNESS 6-20MM	PROFILE THICKNESS 6-13MM	PROFILE THICKNESS 13-20MM			
			Fx	Fy	Fz	Fz			
HE/A 100-400mm									
HE/B 100-300mm	6-20mm	Min. 50mm	-	+/- 9	-6	-5	1,2	M12	
IPE 100-600mm									
For Supports	Basic support T=80 (without spacers)								
Description	1x22H300 + 2x22H4H + 2 threaded rods M12 + 4 nuts M12 - HD galva - Length of the threaded rods depends on the width of the profile (specified by customer)								
Tightening torque	22 Nm for M16 threaded rods 4.6								

Weight is for the clamps only



TYPE 22H300

Double version for sliding shoe 80mm wide



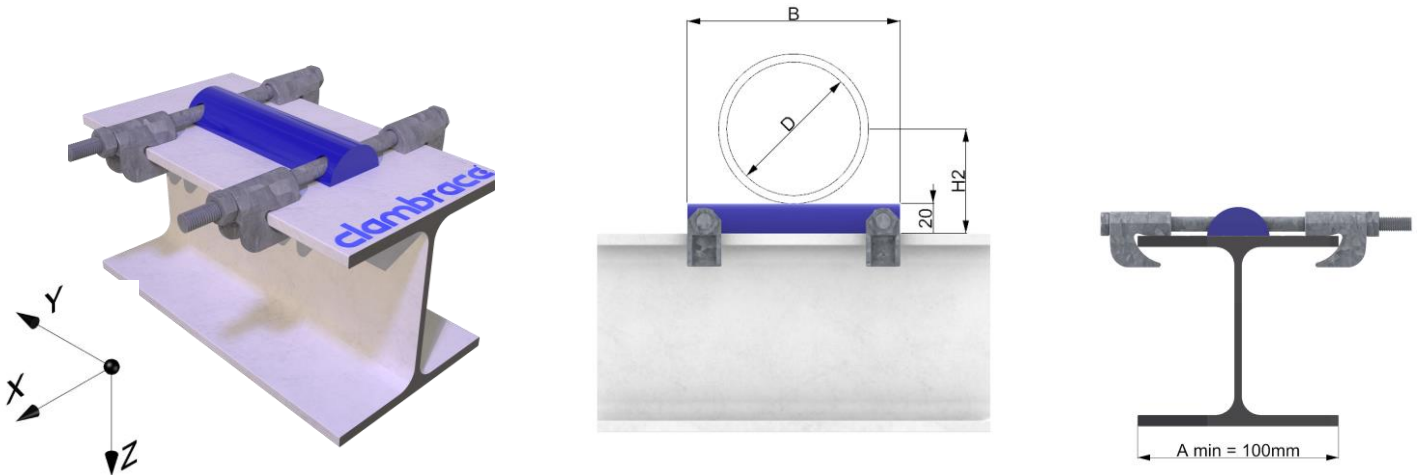
PROFILE DIMENSIONS (MM)				LOAD (KN)					
APPLICABLE TO PROFILES	THICKNESS	WIDTH	PROFILE THICKNESS 6-20MM	PROFILE THICKNESS 6-20MM	PROFILE THICKNESS 6-13MM	PROFILE THICKNESS 13-20MM	WEIGHT KG	THREAD	
			Fx	Fy	Fz	Fz			
HE/A 100-400mm									
HE/B 100-300mm	6-20mm	Min. 50mm	-	+/-11	-12	-10	1,4	M12	
IPE 100-600mm									
For Supports		Basic support T=80 (without spacers)							
Description		2x22H300 + 2 threaded rods M12 + 4 nuts M12 - HD galva - Length of the threaded rods depends on the width of the profile (specified by customer)							
Tightening torque		22 Nm for M16 threaded rods 4.6							

Weight is for the clamps only



TYPE 22H5 C-BAR TM (HR)

Free support with C-Bar Sliding surface

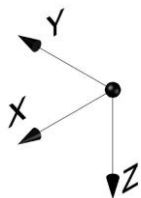
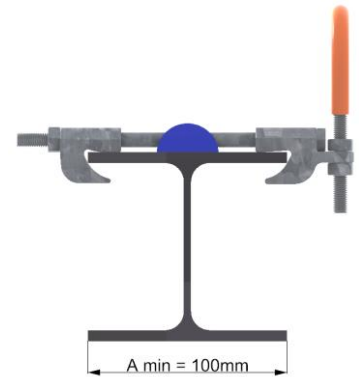
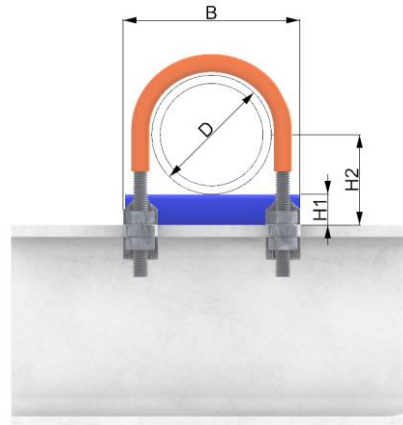
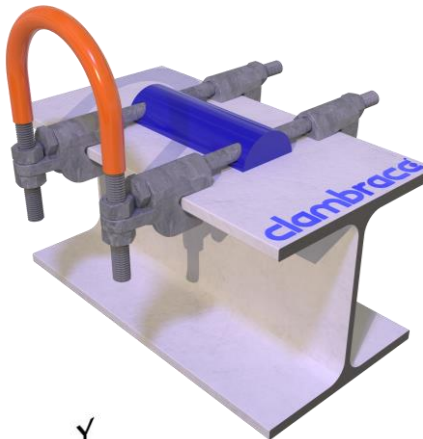


DIMENSIONS					LOAD (KN)				
ND	INCH	OUTER Ø MM	H2	B	THREAD	FX	FY	FZ	WEIGHT KG
15	½	21,3	31	65	M12	-	-	2,5	0,5
20	¾	26,9	33	65	M12	-	-	2,5	0,6
25	1	33,7	37	72	M12	-	-	2,5	0,6
32	1 ¼	42,4	41	80	M12	-	-	2,5	0,7
40	1 ½	48,3	44	86	M12	-	-	2,5	0,7
50	2	60,3	50	100	M12	-	-	2,5	0,7
65	2 ½	76,1	58	118	M12	-	-	2,5	0,7
80	3	88,9	64	130	M12	-	-	2,5	0,7
100	4	114,3	77	160	M12	-	-	2,5	0,7
125	5	139,7	90	188	M12	-	-	2,5	0,7
150	6	168,3	104	216	M12	-	-	2,5	0,8
200	8	219,1	130	272	M12	-	-	2,5	0,8
250	10	273,0	157	326	M12	-	-	2,5	0,9
300	12	323,9	182	376	M12	-	-	2,5	1,0
Apply to profiles			Thickness profile : 6-20mm / Width : 100mm minimum						
Description			4x22H5-O + 2 bolts M12 + 2 nuts M12 - HD galva + 1 semi-circular slideprofile 20mm height - Length of the threaded rods depends on the width of the profile (specified by customer)						
Tightening moment			22 Nm for M12 threaded rods 4.6						



TYPE 22H5B C-BAR TM (HR)

Version with semi-circular C-Bar sliding surface



DIMENSIONS						LOAD (KN)			
ND	INCH	OUTER Ø MM	HEIGHT H2 MM	WIDTH B MM	THREAD	FX	FY	FZ	WEIGHT KG
20	3/4"	26,9	33	65	M12	-	0,6	2,5	0,6
25	1"	33,7	37	72	M12	-	0,5	2,5	0,6
32	1 1/4"	42,4	41	80	M12	-	0,5	2,5	0,7
40	1 1/2"	48,3	44	86	M12	-	0,4	2,5	0,7
50	2"	60,3	50	100	M12	-	0,5	2,5	0,7
65	2 1/2"	76,1	58	118	M12	-	0,3	2,5	0,7
80	3"	88,9	64	130	M12	-	0,3	2,5	0,7
100	4"	114,3	77	160	M12	-	0,3	2,5	0,7
125	5"	139,7	90	188	M12	-	0,2	2,5	0,7
150	6"	168,3	104	216	M12	-	0,2	2,5	0,8
200	8"	219,1	130	272	M12	-	0,2	2,5	0,8
250	10"	273	157	326	M12	-	0,2	2,5	0,9
300	12"	323,9	180	376	M12	-	0,2	2,5	1

Apply to profiles Thickness profile : 6-20mm / Width : 100mm minimum

Description 2x22H5-O + 2x22H5H + 2 bolts M12 + 2 nuts M12 - HD galva + 1 semi-circular slideprofile 20mm height - Length of the threaded rods depends on the width of the profile (specified by customer)

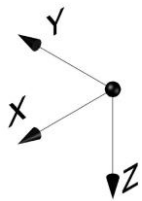
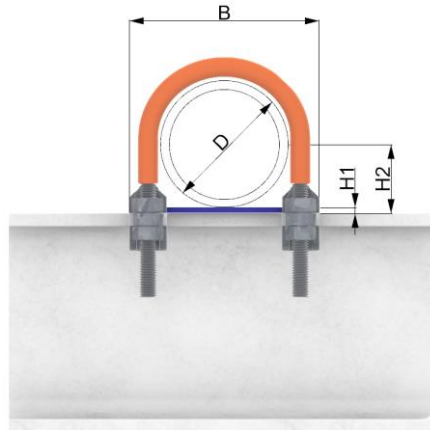
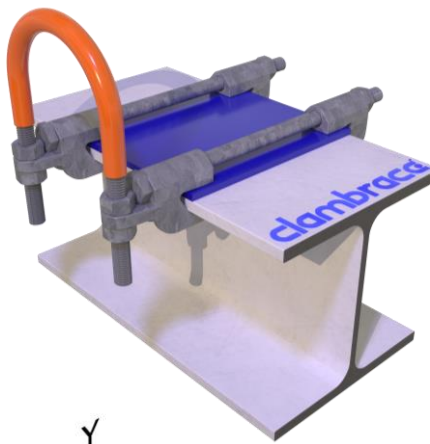
Tightening moment 22 Nm for M12 threaded rods 4.6

Also compatible with C-Bolt



TYPE 22H5B

Version with C-Bolt and semi-circular C-Bar sliding surface



DIMENSIONS						LOAD (KN)			
ND	INCH	OUTER Ø MM	HEIGHT H2 MM	WIDTH B MM	THREAD	FX	FY	FZ	WEIGHT KG
50	2"	60,3	50	100	M12	-	0,5	2,5	0,7
65	2 1/2"	76,1	58	118	M12	-	0,3	2,5	0,7
80	3"	88,9	64	130	M12	-	0,3	2,5	0,7
100	4"	114,3	77	160	M12	-	0,3	2,5	0,7
125	5"	139,7	90	188	M12	-	0,2	2,5	0,7
150	6"	168,3	104	216	M12	-	0,2	2,5	0,8
200	8"	219,1	130	272	M12	-	0,2	2,5	0,8
250	10"	273	157	326	M12	-	0,2	2,5	0,9
300	12"	323,9	180	376	M12	-	0,2	2,5	1

Apply to profiles Thickness profile : 6-20mm / Width : 100mm minimum

Description 2x22H5-O + 2x22H5H + 2 bolts M12 + 2 nuts M12 - HD galva + 1 semi-circular slideprofile 20mm height - Length of the threaded rods depends on the width of the profile (specified by customer)

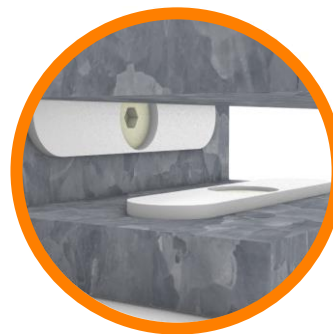
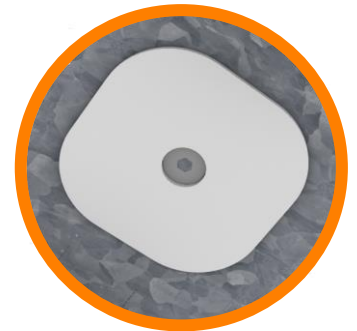
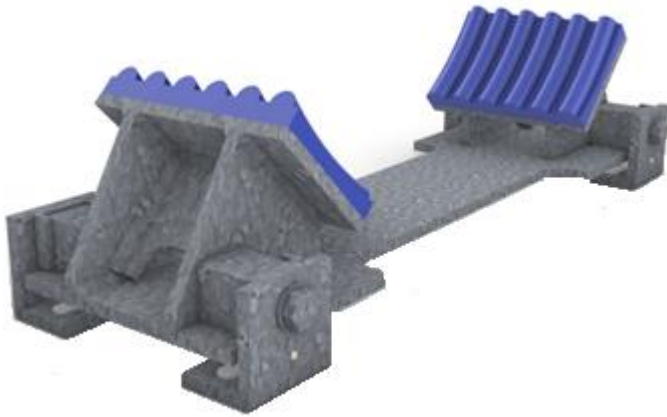
Tightening moment 22 Nm for M12 threaded rods 4.6

Also compatible with C-Bolt



SPECIAL CORROSION FREE SOLUTION EXAMPLES FOR LOW FRICTION SUPPORT

Version with low friction Polyurethane wear-pads DN450 – DN600



DIMENSIONS			LOAD (KN)
ND	INCH	OUTER Ø MM	
400	16	406,4	
450	18	457,2	
500	20	508,0	
600	24	609,9	60

Apply to profiles Minimum HEA, HEB 200

Description 4 bolts M12 - 4 adapters HD galva + 2 Teflon slideplates + 8 Teflon beam protection slideplates + 2 PU resting pads - Length of the threaded rods depends on the width of the profile (specified by customer)

Tightening moment 22 Nm for M12 threaded rods 4.6

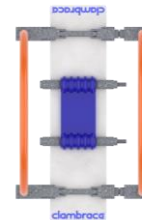
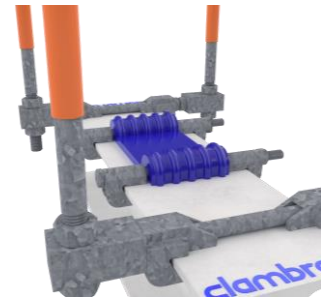
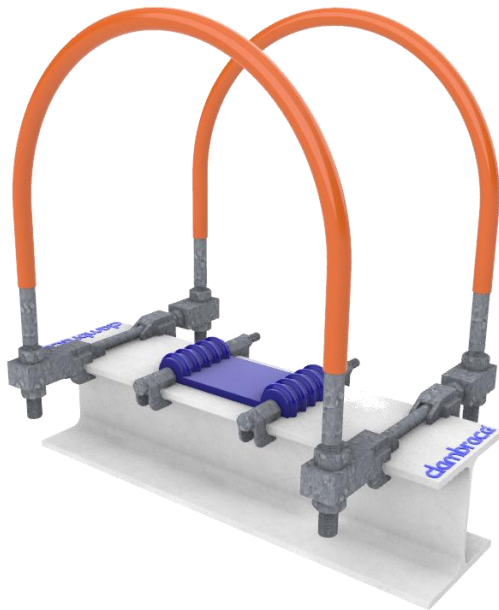
Not compatible with C-Bolt

Printing errors, errors and technical changes reserved



SPECIAL CORROSION FREE SOLUTION - LOW FRICTION SUPPORT

Version with low friction Polyurethane wear-pads DN250 – DN400



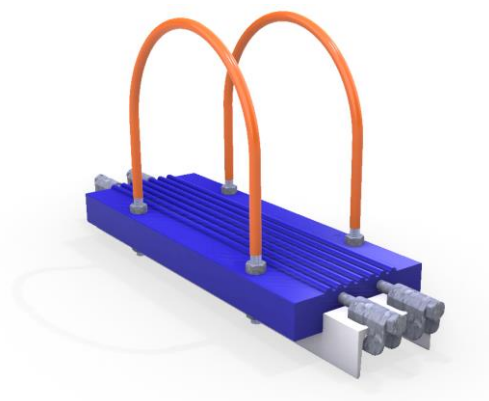
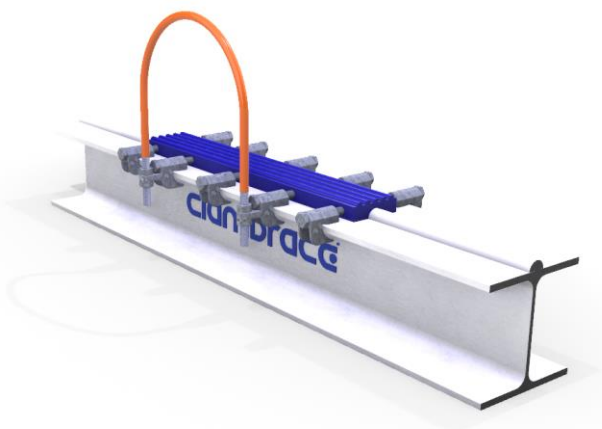
DIMENSIONS						LOAD (KN)			
ND	INCH	OUTER Ø MM	HEIGHT H2 MM	WIDTH B MM	THREAD	FX	FY	FZ	WEIGHT KG
250	10	273,0	157,0	NA	M12/M16	-	NA	NA	NA
300	12	323,9	182,0	NA	M12/M16	-	NA	NA	NA
350	14	355,6	197,8	NA	M12/M16	-	NA	NA	NA
400	16	406,4	232,2	NA	M12/M16	-	NA	NA	NA
Apply to profiles			Thickness profile : 6-20mm / Width : 100mm minimum						
Description			4x22H5-O + 4x22H48 + 2 adaptors M16 to M20 + 2- threaded rods M12 + 2 threaded rods M16 + 2 nuts M12 + 4 nuts M16 - HD galva + 1 low friction slide mount + 2 M20 Coated U-Bolts - Length of the threaded rods depends on the width of the profile (specified by customer)						
Tightening moment			22 Nm for M12, 55Nm for M16 threaded rods 4.6						

Also compatible without C-Bolt and C-Bolt mounting gear



SPECIAL CORROSION FREE SOLUTION EXAMPLES FOR LOW FRICTION SUPPORT

Version with low friction Polyamide wear-pads DN15-DN600



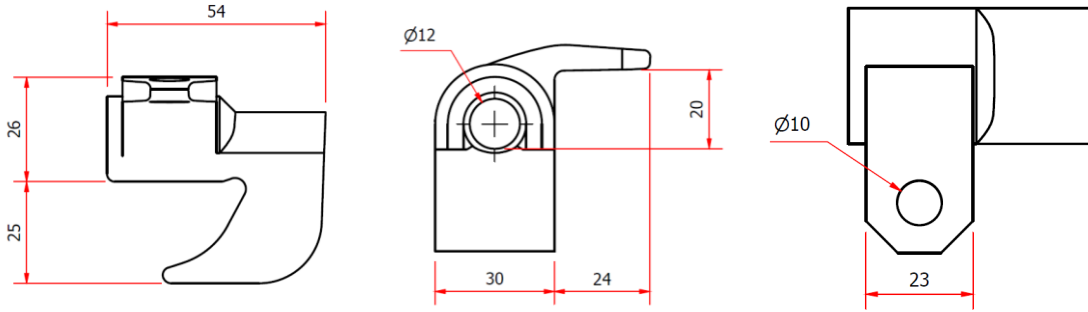
Printing errors, errors and technical changes reserved



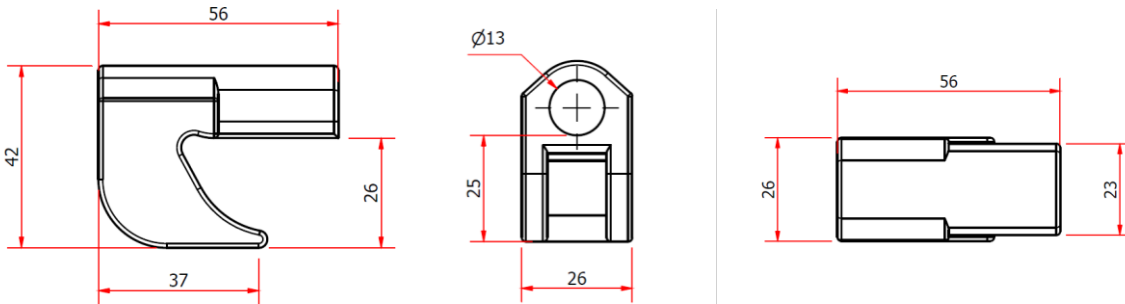
OVERVIEW

All clamps are available in STEP and AutoCad format

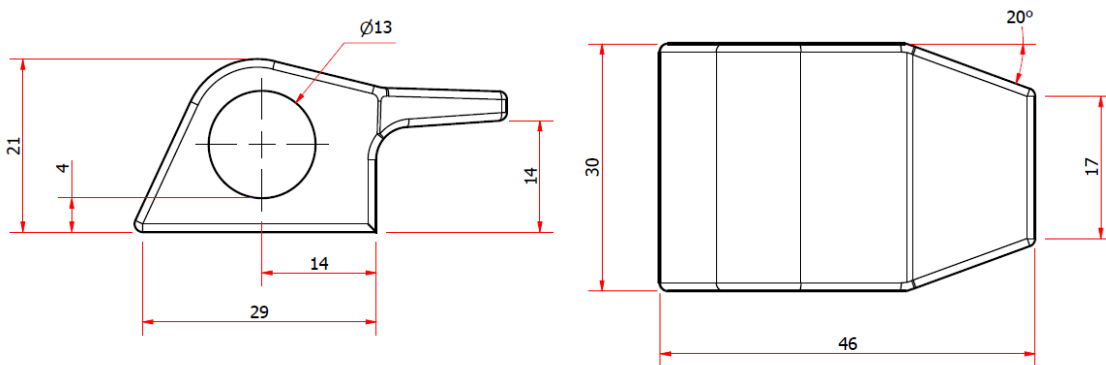
22H1H (LEFT&RIGHT)



22H4H



22H43

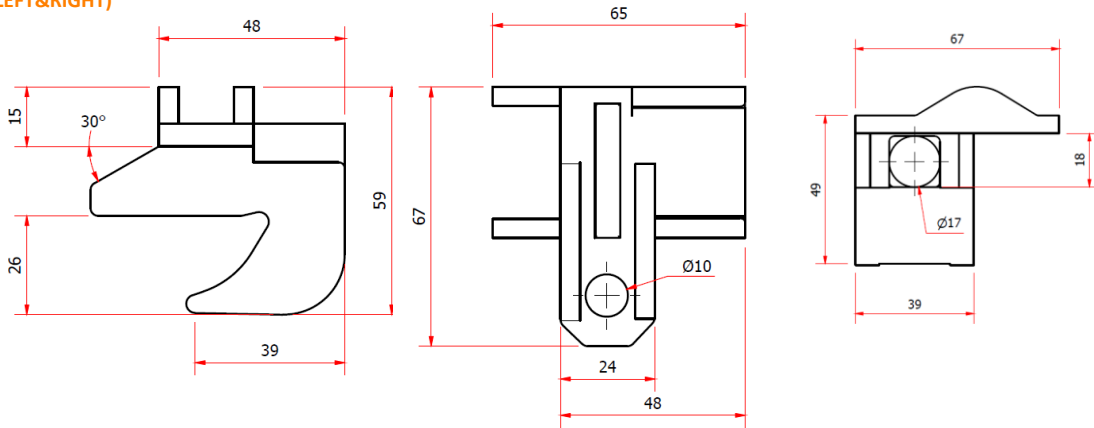




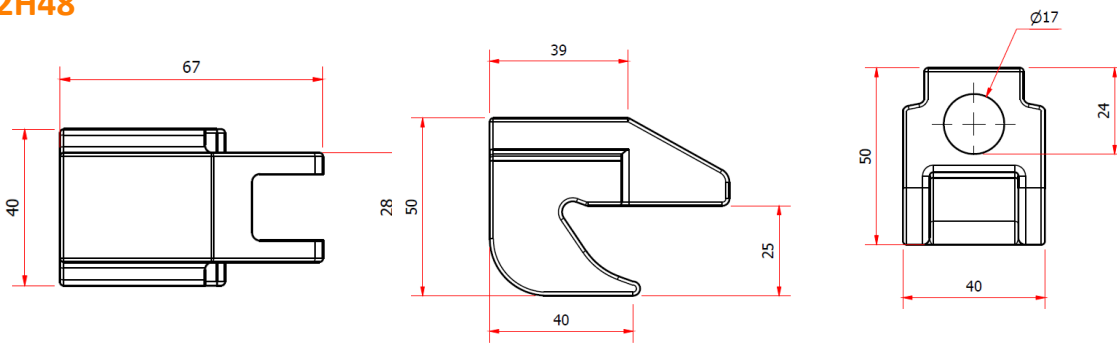
OVERVIEW

All clamps are available in STEP and AutoCad format

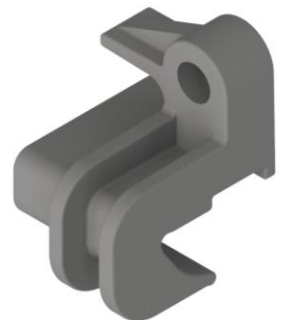
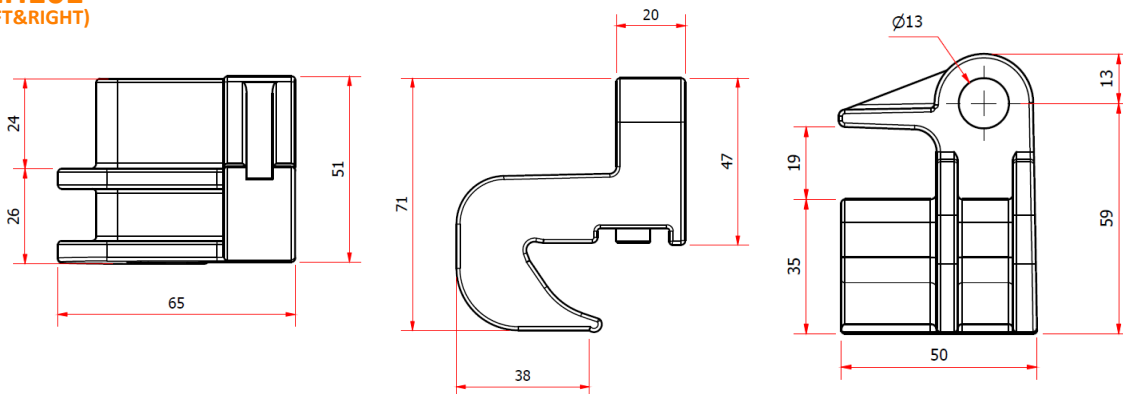
22H28 (LEFT&RIGHT)



22H48



22H101 (LEFT&RIGHT)



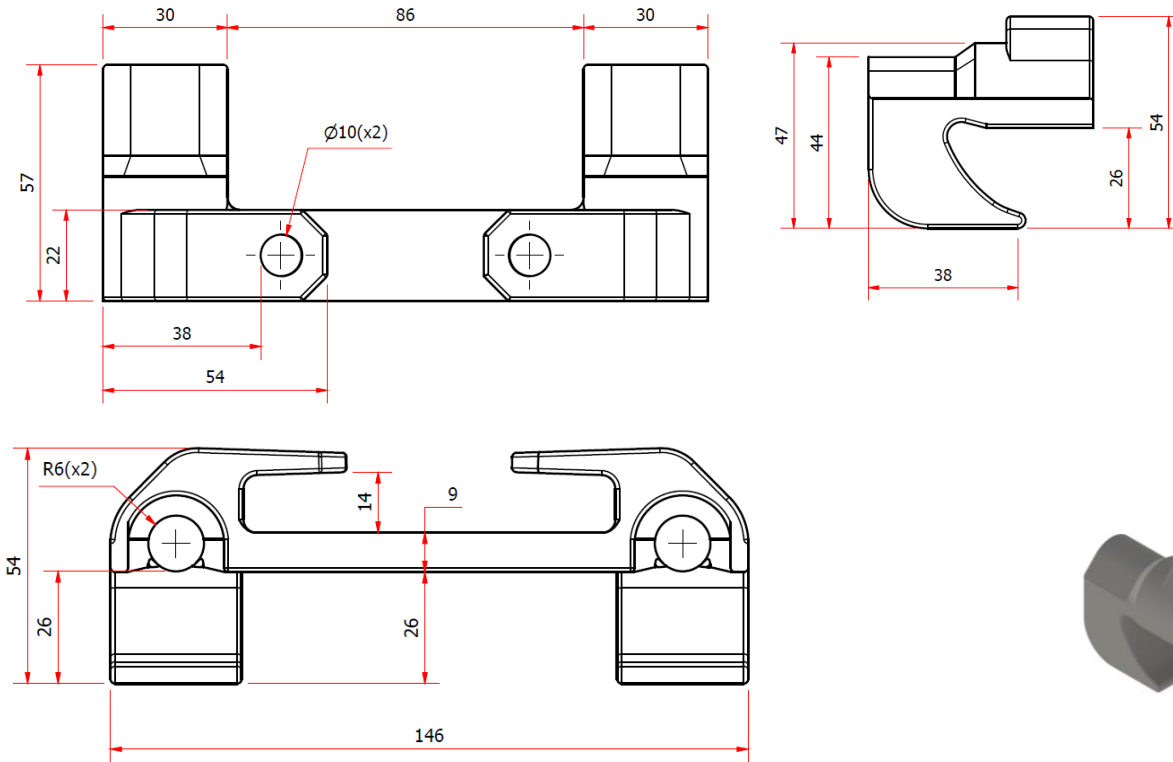
Printing errors, errors and technical changes reserved



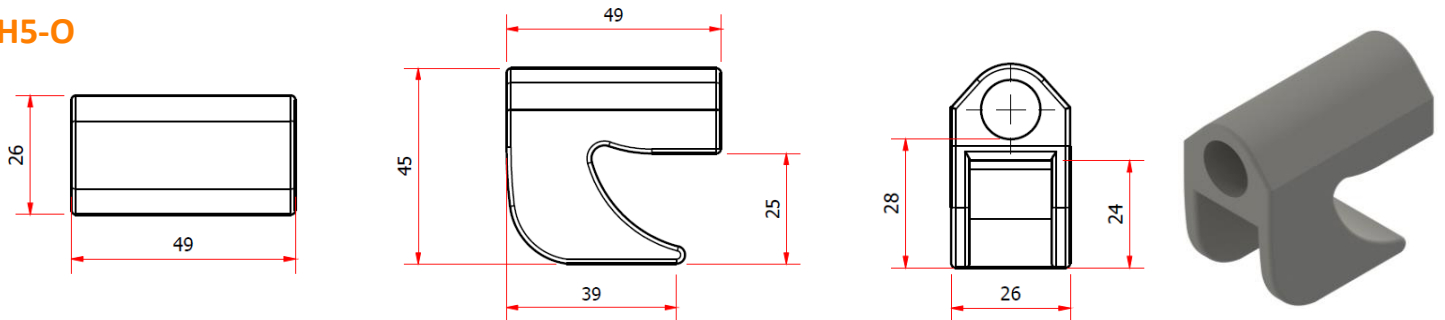
OVERVIEW

All clamps are available in STEP and AutoCad format

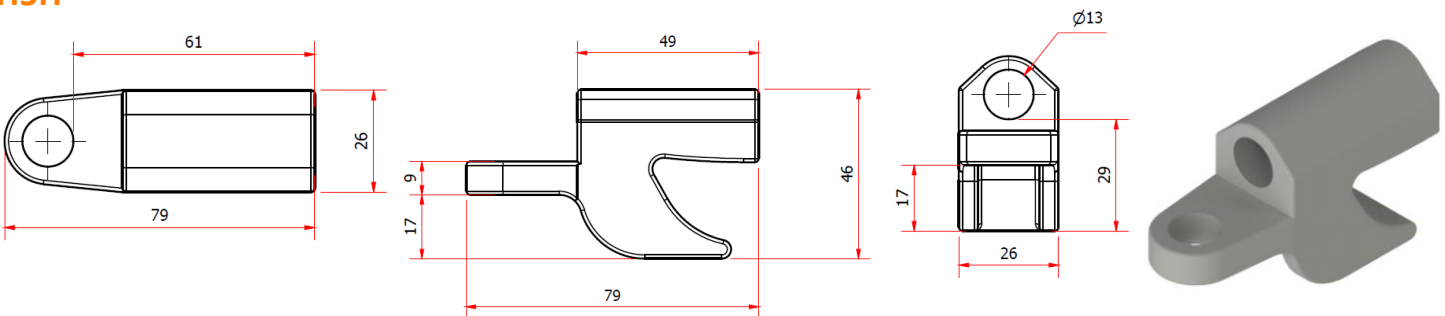
22H300



22H5-O



22H5H





Clambrace

Winninglaan 15
9140 Temse, Belgium
info@clambrace.com
0032 3 711 03 53

clambrace.com

clambrace